



# Casco Industries

## DOUBLE HUNG REPLACEMENT KIT

Renovating a home economically doesn't mean compromising on window quality. Casco's Double Hung Replacement Kit goes beyond basic replacements, offering new energy-efficient components that utilize existing wood window frames.

The Casco Double Hung Replacement Kit features a durable aluminum-clad exterior and a solid pine wood interior. Homeowners can enhance comfort by opting for the LoE<sup>3</sup> energy-efficient glass, which increases energy efficiency and blocks summer UV rays. Casco provides a 20-year insulating glass warranty for added assurance.

This alternative installation method minimizes demolition and reduces costly labor. With customization options including 8 exterior colors and 14 interior prefinishing choices, the Casco Double Hung Replacement Kit perfectly matches any project style, making it an excellent and cost-effective solution for home renovations.

**LONG  
LASTING  
VIEWS  
AT AN  
EXCEPTIONAL  
VALUE**

### Standard Features:

- 8 exterior aluminum colors\*
- Heavy-duty extruded aluminum clad exterior
- Solid pine interior sash components
- Tilt-in top and bottom sashes for easy cleaning
- Hardware in white, beige, coppertone, or black
- Cardinal IG / 20-Year Glass Seal Failure Warranty
- Installation avoids the complexities and extensive demolition associated with new windows.

### Optional Features:

- Custom-sized to 1/8" increments
- LoE Glass Coating (Includes Argon Gas)
- Internal and SDL (Simulated Divided Lite) Grilles
- 14 standard interior prefinishing options

\*Some exterior cladding colors require the use of a different exterior glazing strip color. Please consult your sales representative for more information.



**DURABLE SASH  
LOCK**

Coppertone  
Beige  
White  
Black



**TILT  
IN SASH  
FOR EASY  
CLEANING**



**EIGHT  
STANDARD  
CLADDING  
COLORS\***

**XL EDGE SPACER  
AND  
20 YEAR GLASS  
WARRANTY FROM**



# Casco Industries

## DOUBLE HUNG REPLACEMENT KIT

# TECHNICAL DETAILS AND OPTIONS

### DOUBLE HUNG REPLACEMENT KIT

#### Standard Sizes

(Custom Size Available)

Standard Sash Openings

1'-8" (20")

2'-0" (24")

2'-4" (28")

2'-8" (32")

3'-0" (36")

3'-4" (40")

3'-8" (44")

Call Size

16

20

24

28

32

36

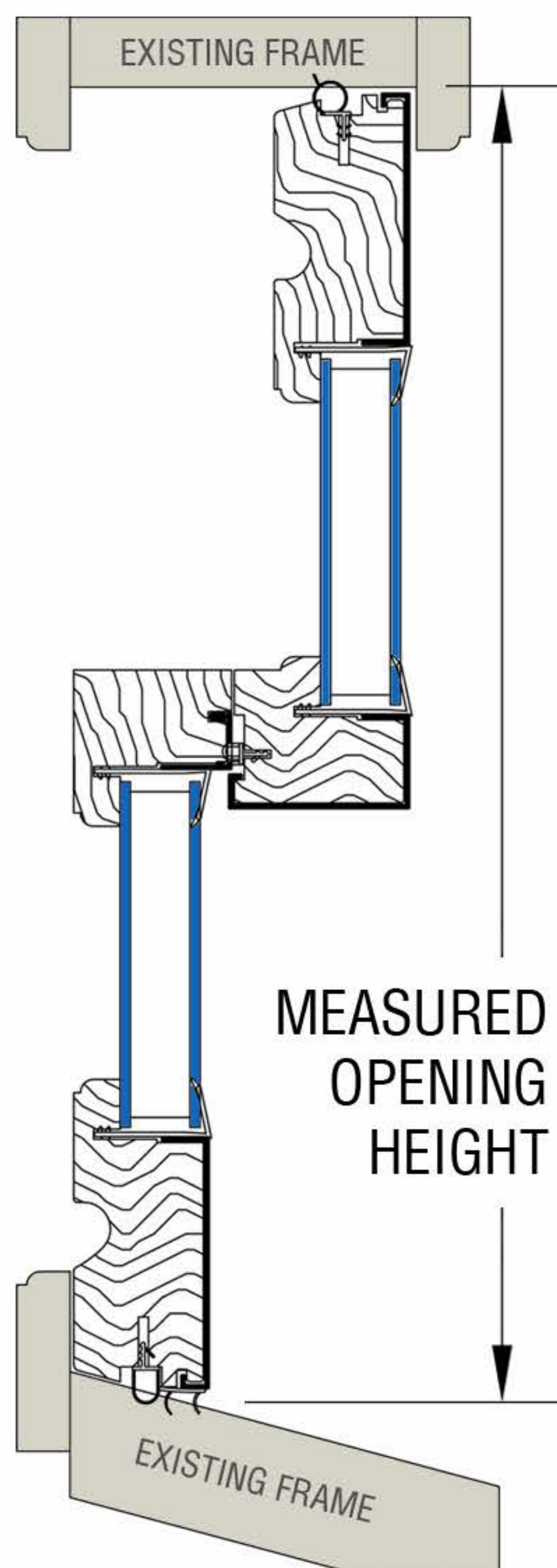
40

After removing the existing window sashes, Casco's Double Hung Replacement Kit is inserted into the existing wood window frame. The exterior/interior moldings and trim work remain untouched. New sashes, weatherstripping, and glass replace worn-down window components with energy-efficient glass and a maintenance-free aluminum exterior.

### DOUBLE HUNG REPLACEMENT KIT

#### Measuring Instructions & Cross Sections

VERTICAL SECTION



1. To find the sash opening height  
Ensure that there are no wood blocks holding the sashes in place. If there are, remove them. Lower the top sash to create clearance, and measure the height of the window opening from where the top sash meets the head jamb down to the intersection where the front plane of the bottom sash meets the sill.

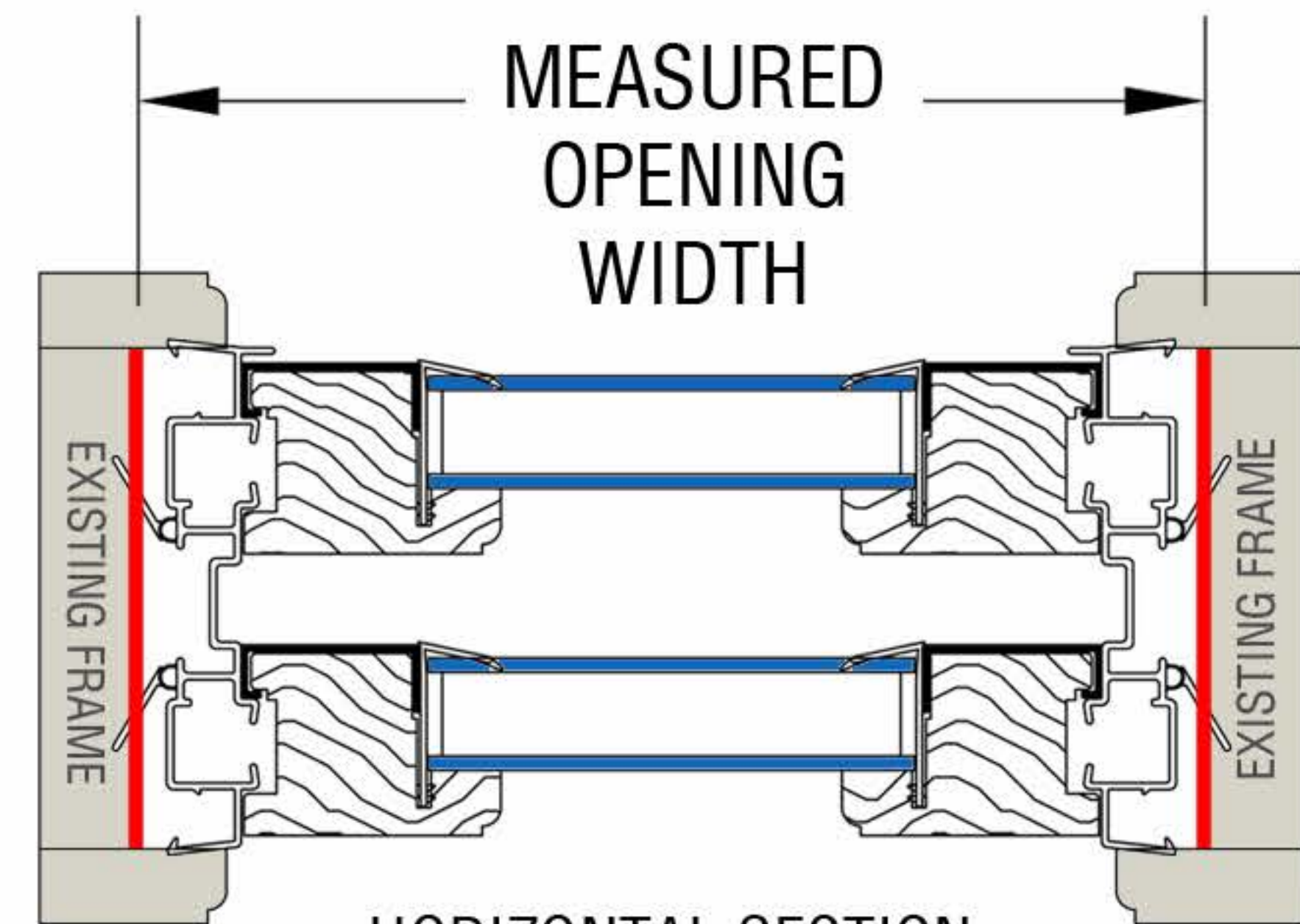
2. To find the sash opening width  
Measure the inside width of the frame from wood jamb to wood jamb.

Each Kit Includes:

- (2) double hung sashes with hardware and weatherstripping
- (2) compression jamb liners
- (1) head parting stop
- (6) installation clips
- Installation screw pack

Notice: Casco's unique bottom rail weatherstrip design is capable of accommodating sill angles ranging from 4° to 14° degrees.

MEASURED OPENING WIDTH



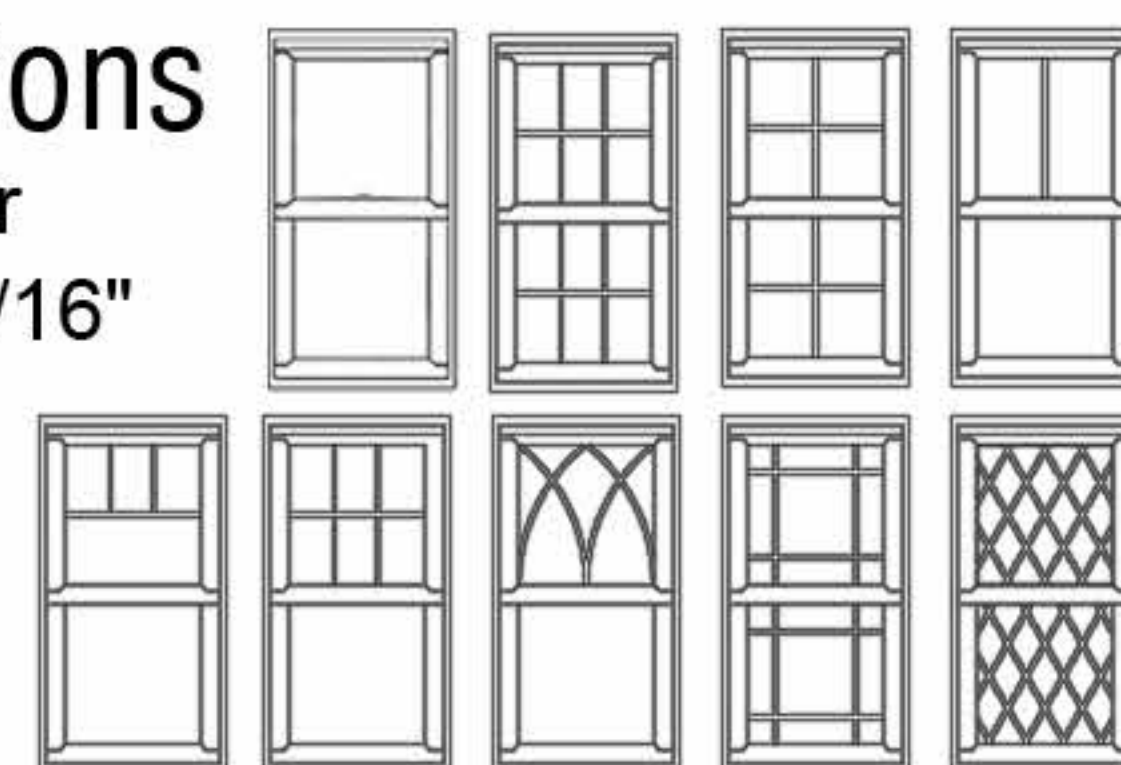
Jambliner pocket dimension (shown in red in this figure) should be no less than 3-1/2" to properly fit this replacement kit.

HORIZONTAL SECTION

Standard Sash Opening	1'-8" (20")	2'-0" (24")	2'-4" (28")	2'-8" (32")	3'-0" (36")	3'-4" (40")	3'-8" (44")
2'-6" (30")	1612	2012	2412	2812	3212	3612	4012
3'-2" (38")	1616	2016	2416	2816	3216	3616	4016
3'-10" (46")	1620	2020	2420	2820	3220	3620	4020
4'-6" (54")	1624	2024	2424	2824	3224	3624	4024
5'-2" (62")	1628	2028	2428	2828	3228	3628	4028
5'-6" (66")	1624/36	2024/36	2424/36	2824/36	3224/36	3624/36	4024/36
5'-10" (70")	1632	2032	2432	2832	3232	3632	4032
6'-6" (78")	1636	2036	2436	2836	3236	3636	4036

### Grille Styles and Options

Choose from various options for grille sizes, including 5/8" or 13/16" flat and 3/4" or 1" contour for internal grilles, as well as 7/8" or 1-1/4" simulated divided lite grilles for a historic look.



Maximize energy efficiency by pairing your new Casco Double Hung Replacement Kit with a brand-new Casco Storm Window for enhanced performance.



640 Division St., South Elgin, IL 60177  
ph: 800-806-6333 | www.casconline.com

© Casco Industries, Inc. 2023